



UK and Ireland distributor

Valla 120ES Mobile Crane



12.0 t

Pick & Carry Crane Standard Specifications

Max Lifting Capacity:	12,000 kg	Frame:	Pre-formed and welded steel plate with integral counterweight
Width:	2100 mm	Boom:	5 telescopic sections: 1 fixed, 4 hydraulic
Weight:	14,100 kg (basic spec)	Hydraulic System:	Self enclosed circuit, powered by geared pump, fitted with self cancelling valves. Maximum hydraulic pressure 200 Bar
Power Source:	Electric	Safe Load Device:	Fitted electronic load indicator, visual audible indicators to meet CE Regulations
Motor:	12 kW - 72v AC fanned reversible electric motor fitted with variable speed control	Tyres:	Front - 4 solid 27 x 7-12" Rear - 2 solid 27 x 10-12"
Transmission:	Reduction between motor and wheel by gears in oil bath, max speed 10 Km/h		



CPCS - A66 compact crane endorsement B

Product specifications are subject to change without notice or obligation. The photographs and/or drawings in this document are for illustrative purposes only.



Northern 01482 227333

Central 01302 341659

Southern 0203 174 0658

www.hird.co.uk

Northern (Head Office)
English Street
Hull HU3 2BS

Tel: +44 (0)1482 227333
Fax: +44 (0)1482 587710
Email: info@hird.co.uk

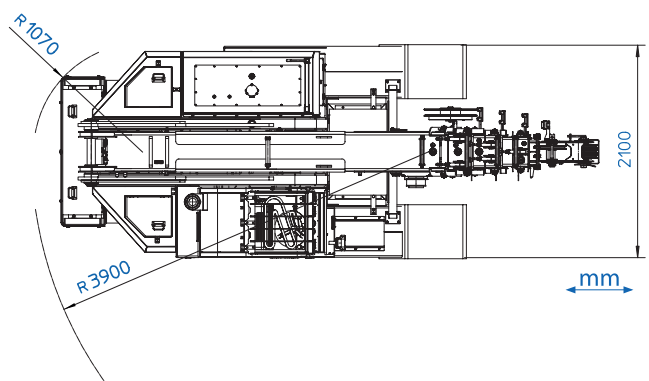
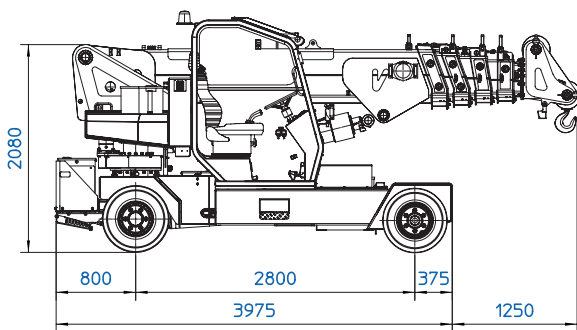
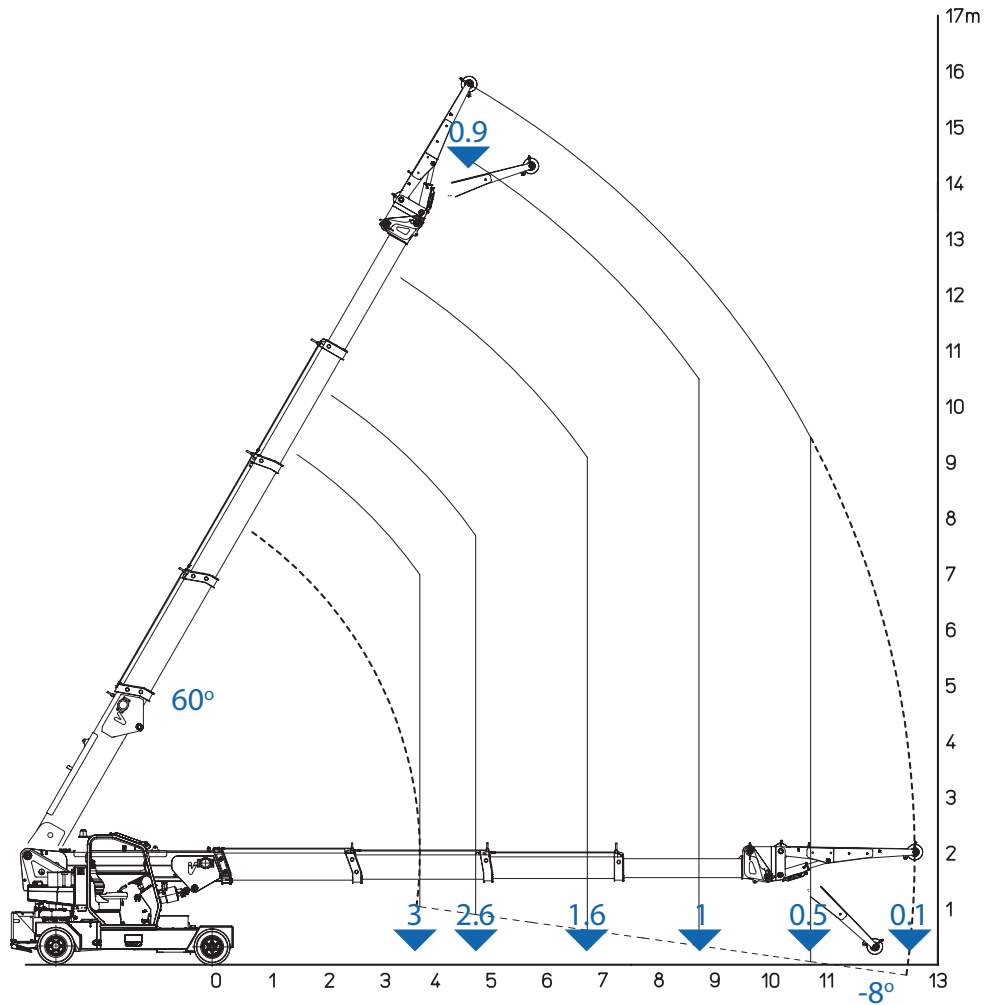
Central
Shaw Lane Industrial Estate
Ogden Road, Doncaster DN2 4SQ

Tel: +44 (0)1302 341659
Fax: +44 (0)1302 341675
Email: doncaster@hird.co.uk

Southern
Unit 8, Redhill 23 Business Park Holmethorpe Avenue
Redhill RH1 2NB

Tel: +44 (0)203 174 0658
Fax: +44 (0)1737 773188
Email: london@hird.co.uk

Dimensions Valla 120ES



Valla
MANITEX

VALLA MANITEX SRL
Via Leonardo Da Vinci 12
29016 - Cortemaggiore (PC) - Italy

PHONE: +39 0523 256411
Email: info@valla.com
SITE:valla.com



Product specifications are subject to change without notice or obligation. The photographs and/or drawings in this document are for illustrative purposes only.



Northern 01482 227333 Central 01302 341659 Southern 0203 174 0658

www.hird.co.uk