

The Valla 220SE/D slewing pick & carry crane has a maximum safe working load of 22t, a max working height of 15.5m and a maximum working radius of 13.5m.

The pick & carry crane can lift free on wheels. For heavier loads, outriggers can be deployed, maximizing stability. A digital load limiter helps ensure lifting is carried out safely in whichever set up is selected.



22,000kg Max Lifting Capacity



CPCS - A66 Compact Crane (B)
+ Product Familiarisation



Technical Specifications

Max Lifting Capacity	22,000kg
Max Working Height	15.5m
Max Working Radius	13.5m
Capacity @ Max Height	8,100g
Capacity @ Max Radius	1,650kg
Power Source	Batteries/Diesel
Height	2948mm
Length	5153mm
Width	2450mm
Total Machine Weight	24,000kg

Optional Accessories

- Fly jib
- Radio controlled crane functions
- Air conditioning
- Automatic lubrication system
- Bonding reel
- Anti-collision with video cameras
- ICAO / CAA airport standard equipment

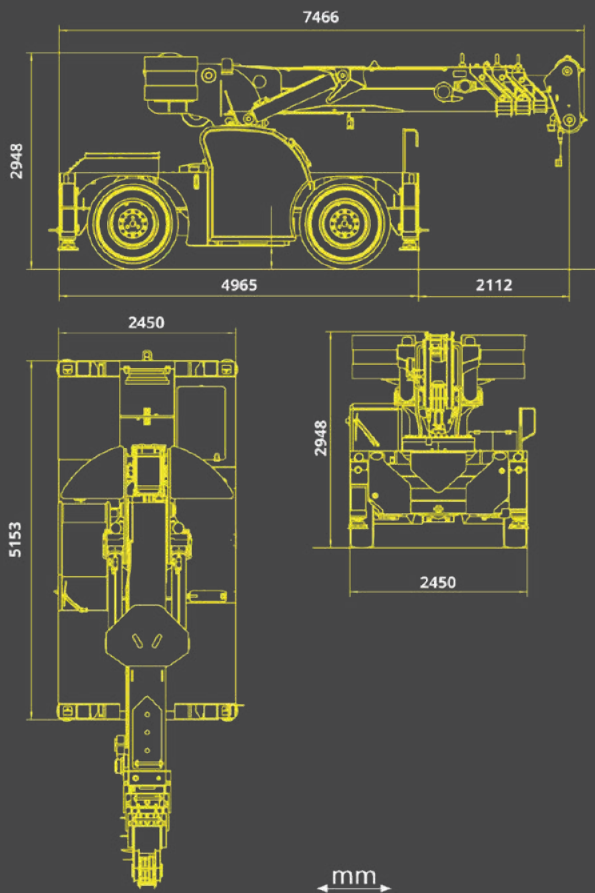


Air conditioning (optional)



Valla's understanding of the Aviation Industry is integral to the design of this slewing pick & carry crane.

Dimensions



Working envelope

