

The Valla 250E pick & carry crane has a maximum safe working load of 25t, and combines this with an impressive max lift height of 13m (3.6t) and maximum radius of 9.8m (1.9t), all with fume-free and low noise operation.

The compact crane is just 4.83m long and 2.15m wide, so can be driven into some incredibly tight spots to carry out lifts. Just at home indoors as out, the Valla 250E takes sustainable mini crane lifting to a new level.



## 25,000kg

Max Lifting Capacity



CPCS - A66 Compact Crane (B)  
+ Product Familiarisation



### Technical Specifications

Max Lifting Capacity	25,000kg
Max Working Height	12.8m
Max Working Radius	9.7m
Capacity @ Max Height	4,800kg
Capacity @ Max Radius	1,900kg
Power Source	Batteries/Diesel
Height	2319mm
Length	4832mm
Width	2150mm
Total Machine Weight	24,200kg

### Optional Accessories

- Non-marking tyres
- Hydraulic winch & hook block
- Fly jib
- Custom paint colour
- Enclosed cabin
- Forks

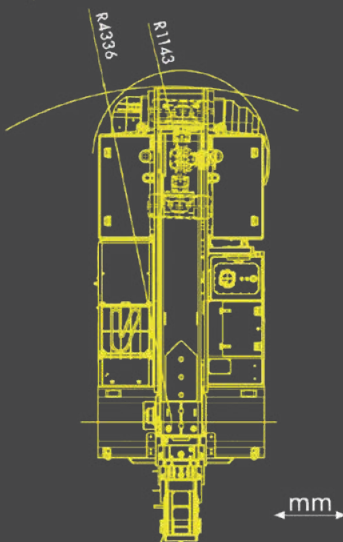
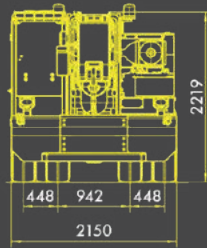
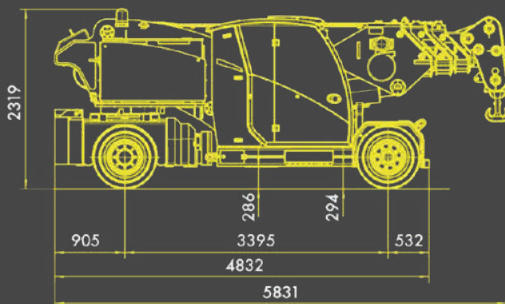


Non-marking tyres (optional)



Valla 250 has a compact 2.15m chassis width, providing operators with more lift flexibility.

## Dimensions



## Working envelope

