



160SE

The Valla 160SE Slewing Pick & carry Crane, complete with self-sufficient on board batteries giving a totally fume free operation. The mini crane has a maximum safe working load of 16t and can lift free on wheels or with higher capacities with outriggers deployed.

The mini crane is fitted with a digital load moment limiter and is ideal for lifting duties in constrained space where the ability to lift away from or into locations is important, for example in aviation maintenance.



16,000kg Max Lifting Capacity



CPCS - A66 Compact Crane (B)
+ Product Familiarisation



Technical specification (basic machine)

Max Lifting Capacity	16,000kg
Max Working Height	11.6m
Max Working Radius	10.5m
Capacity @ Max Height	7,000kg
Capacity @ Max Radius	500kg
Power Source	Batteries
Height	2846mm
Length	4604mm
Width	2683mm
Total Machine Weight	16,200kg

Optional Accessories

- Fly jib
- Radio controlled crane functions
- Air conditioning
- Automatic lubrication system
- Bonding reel
- Anti collision with video cameras
- LCAO / CAA airport standard equipment



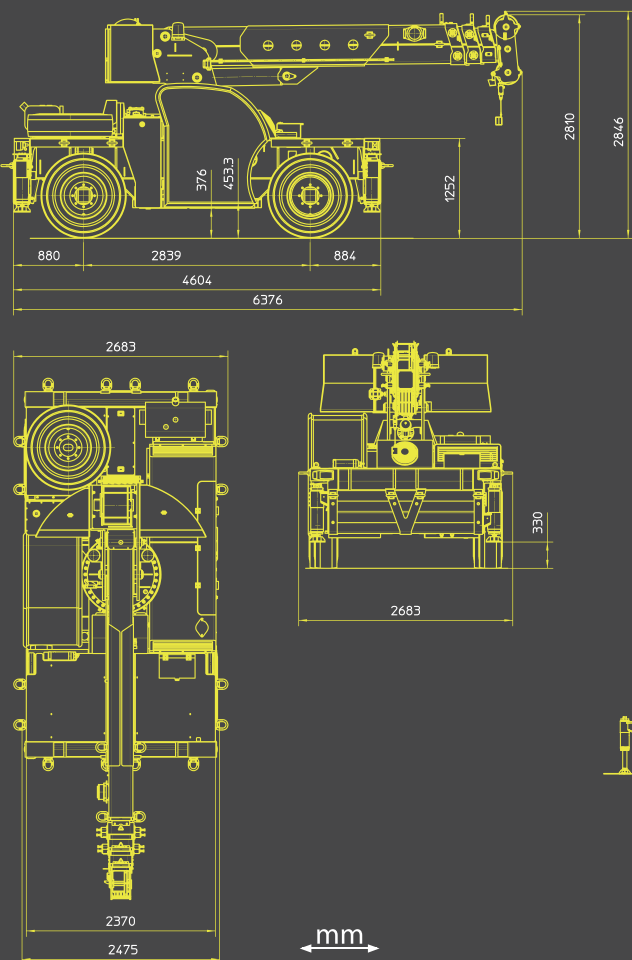
Customised paint options to suit your requirements

Product specifications are subject to change without prior notice or obligation. The photographs and/or drawings in this document are for illustrative purposes only

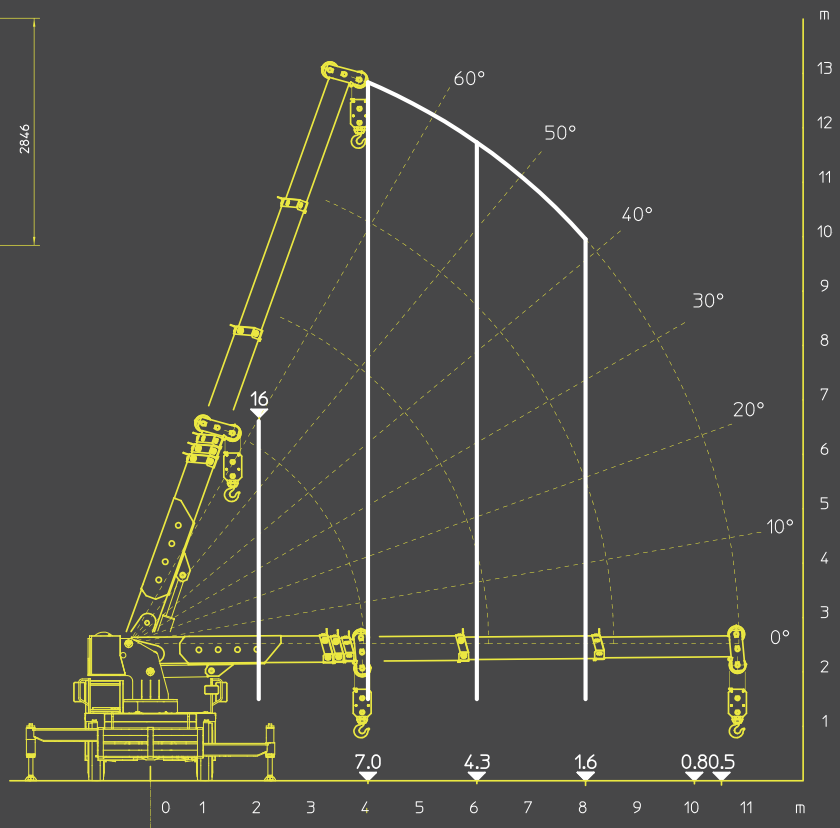


Valla's slewing cranes are designed to provide flexible lifting and versatile work envelope.

Dimensions



Working envelope (basic machine)



Product specifications are subject to change without prior notice or obligation. The photographs and/or drawings in this document are for illustrative purposes only