



22E

The Valla 22E electric pick & carry crane is narrow enough to be guided through a standard double doorway yet can lift up to 2.25t. As an electric mini crane it provides fume-free lifting in all environments.

The compact crane can be fitted with optional non-marking tyres for operation in clean environments. The industrial pick & carry crane is controlled with a responsive tiller arm and is highly maneuverable in confined space.



2,250kg

Max Lifting Capacity



CPCS - A66 Compact Crane (B)



Technical specification (basic machine)

Max Lifting Capacity	2,250kg
Max Working Height	4.3m
Max Working Radius	3.0m
Capacity @ Max Height	800kg
Capacity @ Max Radius	400kg
Power Source	Batteries
Height	1760mm
Length	2260mm
Width	950mm
Total Machine Weight	1,950kg

Optional Accessories

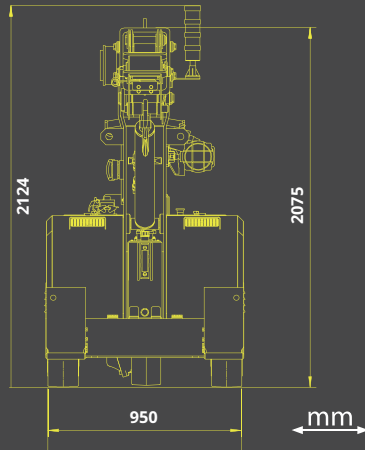
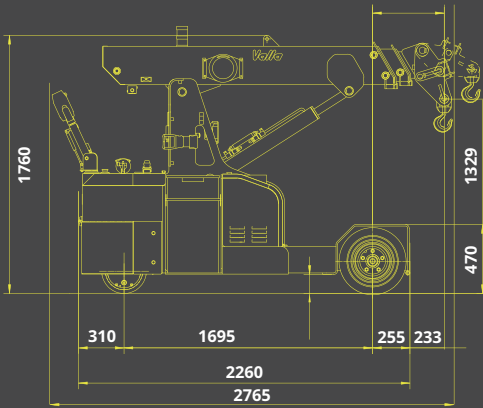
- Non-marking tyres
- Crane functions on tiller arm
- Front wheel braking
- Hydraulic winch & hook block
- Fly jib
- Custom paint colour



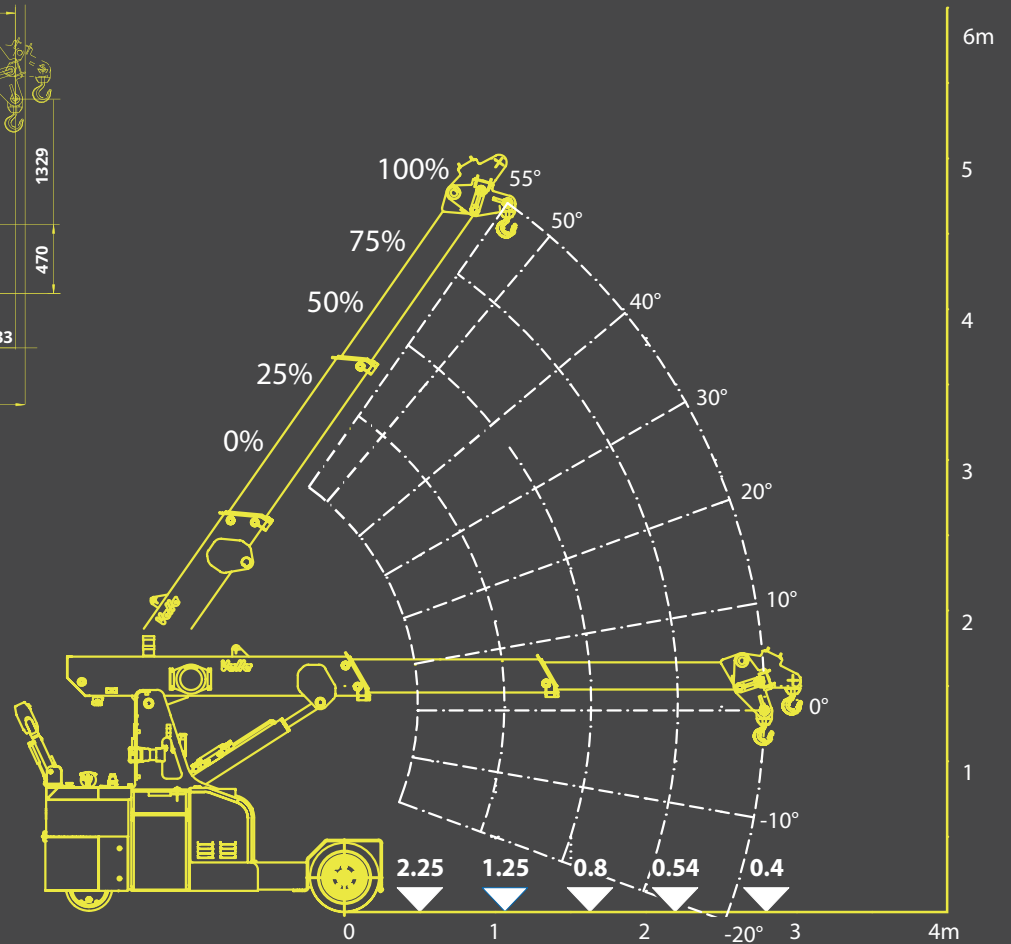
Fly jib (optional)

Product specifications are subject to change without prior notice or obligation. The photographs and/or drawings in this document are for illustrative purposes only

Dimensions

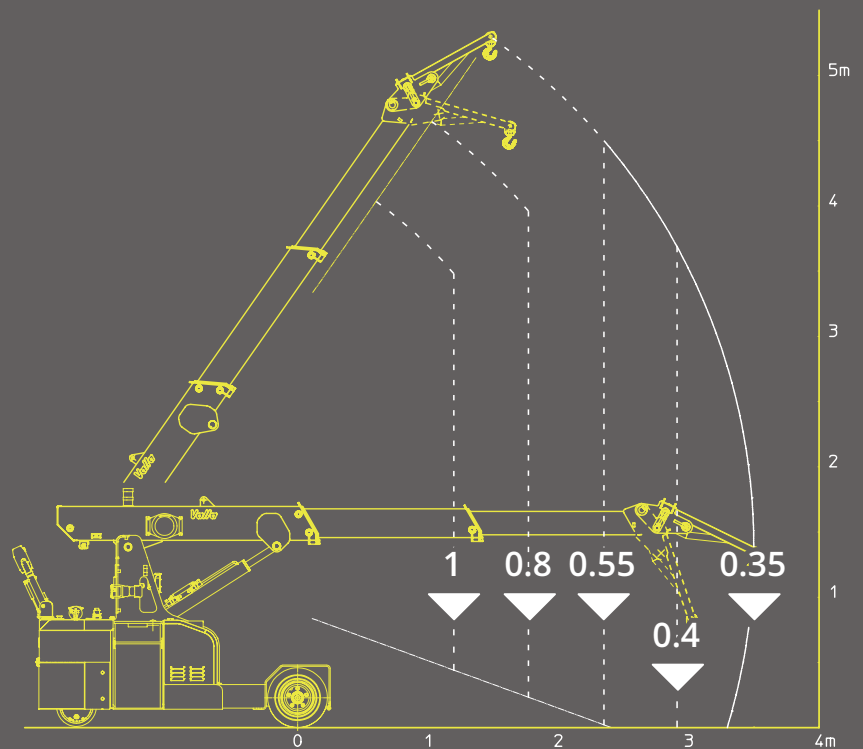


Working envelope (basic machine)



Fly jib specifications

- Max. lifting capacity 1,000kg
- Max. working height 5.0m
- Max. working radius 3.5m
- Capacity @ max. height 350kg
- Capacity @ max. radius 350kg



Product specifications are subject to change without prior notice or obligation. The photographs and/or drawings in this document are for illustrative purposes only