



25E

The Valla 25E battery powered electric pick & carry crane is a highly sustainable method for lifting in industrial environments. It has a safe working load of 2.5t and can lift 0.5t at its maximum radius of 2.7m.

The compact crane can be operated both outdoors and indoors. Its pick & carry capability simplifies lifting, improving productivity and reducing greatly the need for manual handling.



2,500kg

 Max Lifting Capacity

CPCS - A66 Compact Crane (B)



Technical specification (basic machine)

Max Lifting Capacity	2,500kg
Max Working Height	4.3m
Max Working Radius	2.7m
Capacity @ Max Height	1,000kg
Capacity @ Max Radius	500kg
Power Source	Batteries
Height	1,760mm
Length	2,260mm
Width	950mm
Total Machine Weight	2,500kg

Optional Accessories

- Non-marking tyres
- Crane functions on tiller arm
- Front wheel braking
- Hydraulic winch & hook block
- Fly jib
- Custom paint colour



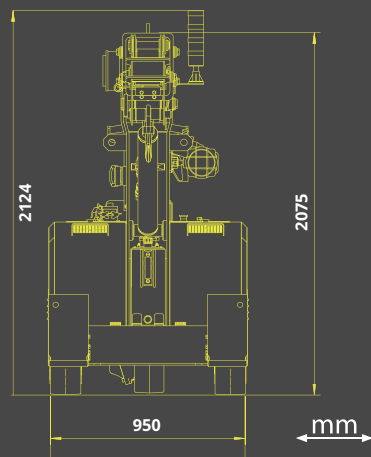
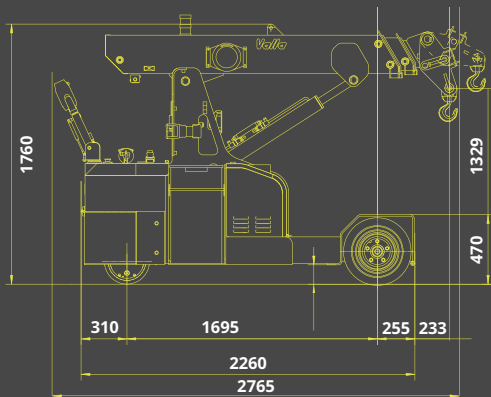
Non-marking tyres (optional)

Product specifications are subject to change without prior notice or obligation. The photographs and/or drawings in this document are for illustrative purposes only

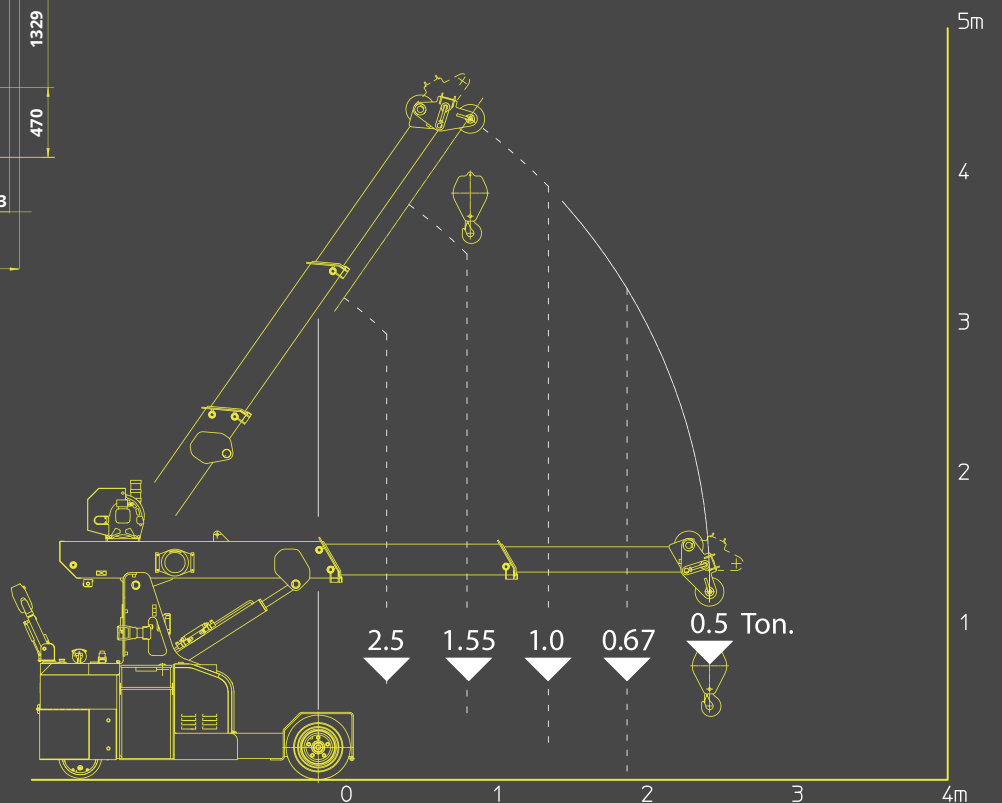


Precision lifting all day long, thanks to Valla's high-quality engineering and design.

Dimensions



Working envelope (basic machine)



Product specifications are subject to change without prior notice or obligation. The photographs and/or drawings in this document are for illustrative purposes only