



V60R

The Valla 60R pick & carry crane provides sustainable zero-emission and fume free lifting to a maximum working height of 7.9m.

It has 180-degree rear steering for manoeuvrability and is operated by wireless remote control, enabling operation from either side of the load.



Wireless Remote Control

6,000kg Max Lifting Capacity



CPCS - A66 Compact Crane (B)



Technical specification (basic machine)

Max Lifting Capacity	6,000kg
Max Working Height	7.9m
Max Working Radius	4.9m
Capacity @ Max Height	1,500kg
Capacity @ Max Radius	1,000kg
Power Source	Batteries
Height	1747mm
Length	2750mm
Width	1180mm
Total Machine Weight	3,800kg

Optional Accessories

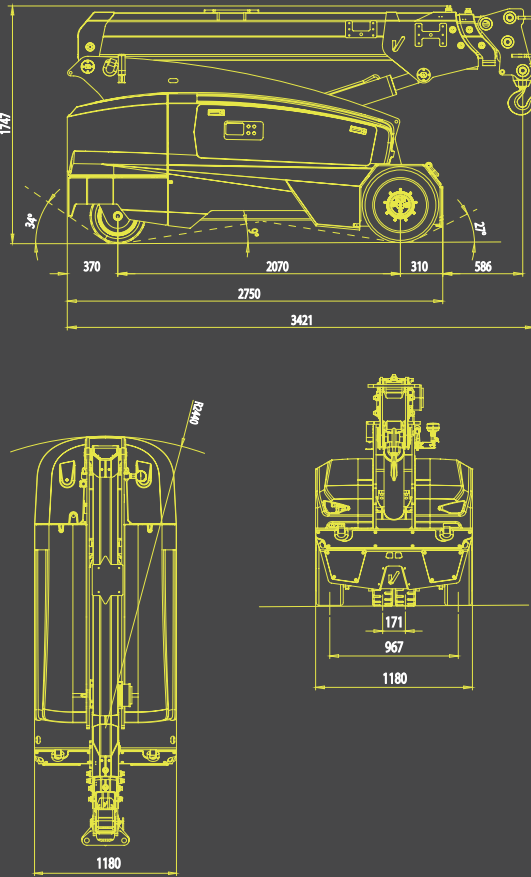
- Non-marking tyres
- Hydraulic winch
- Fly jib



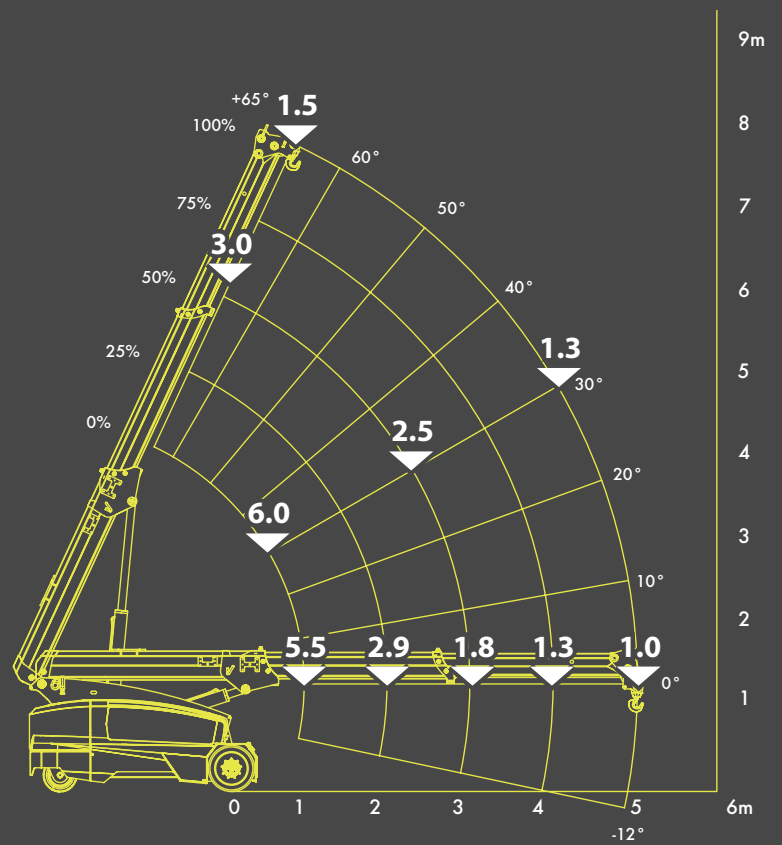
Optional Fly jib attachment

Product specifications are subject to change without prior notice or obligation. The photographs and/or drawings in this document are for illustrative purposes only

Dimensions

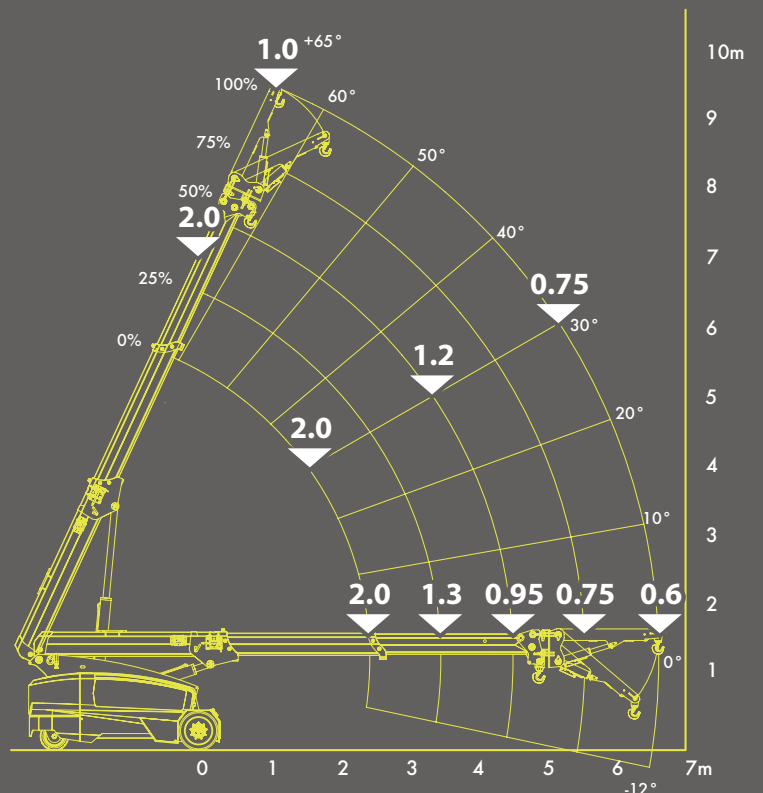


Working envelope (basic machine)



Fly jib specifications

- Max. lifting capacity 2,000kg
- Max. working height 9.1m
- Max. working radius 6.6m
- Capacity @ max. height 1,000kg
- Capacity @ max. radius 600kg



Product specifications are subject to change without prior notice or obligation. The photographs and/or drawings in this document are for illustrative purposes only